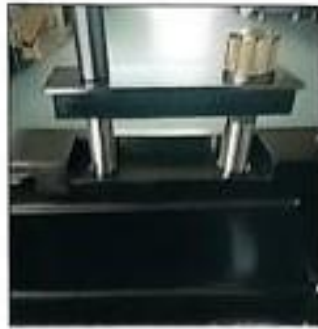


INSTRUCTIONS FOR 304 STAINLESS STEEL KITCHEN SINK





1: Position the sink to the installed position and insert it



2: Insert the two ends of the waterfall faucet into the aperture respectively



3: Insert the two water inlet pipes into the faucet, pay attention to the position of the hot and cold water pipes



4: Put the drainer into the circular opening of the sink and tighten it



5: Apply sealant to the edge of the floor drain, and stick the silicone sealing ring to the edge of the floor drain



6: Once the seal is securely secured to the edge, glue the silicone seal along the edge of the gutter



7: Align with the sink opening, note the threaded drain hole



8: Use a power screwdriver to fasten wicker screws to the edges to reinforce the drain.



9: Apply sealant around the countertop opening, install the sink where the paste has been injected, place and cover the glue, and place the sink evenly



10: Put the sealing ring on this pipe joint



11: Fix the sewer pipe and connect to the sewer system



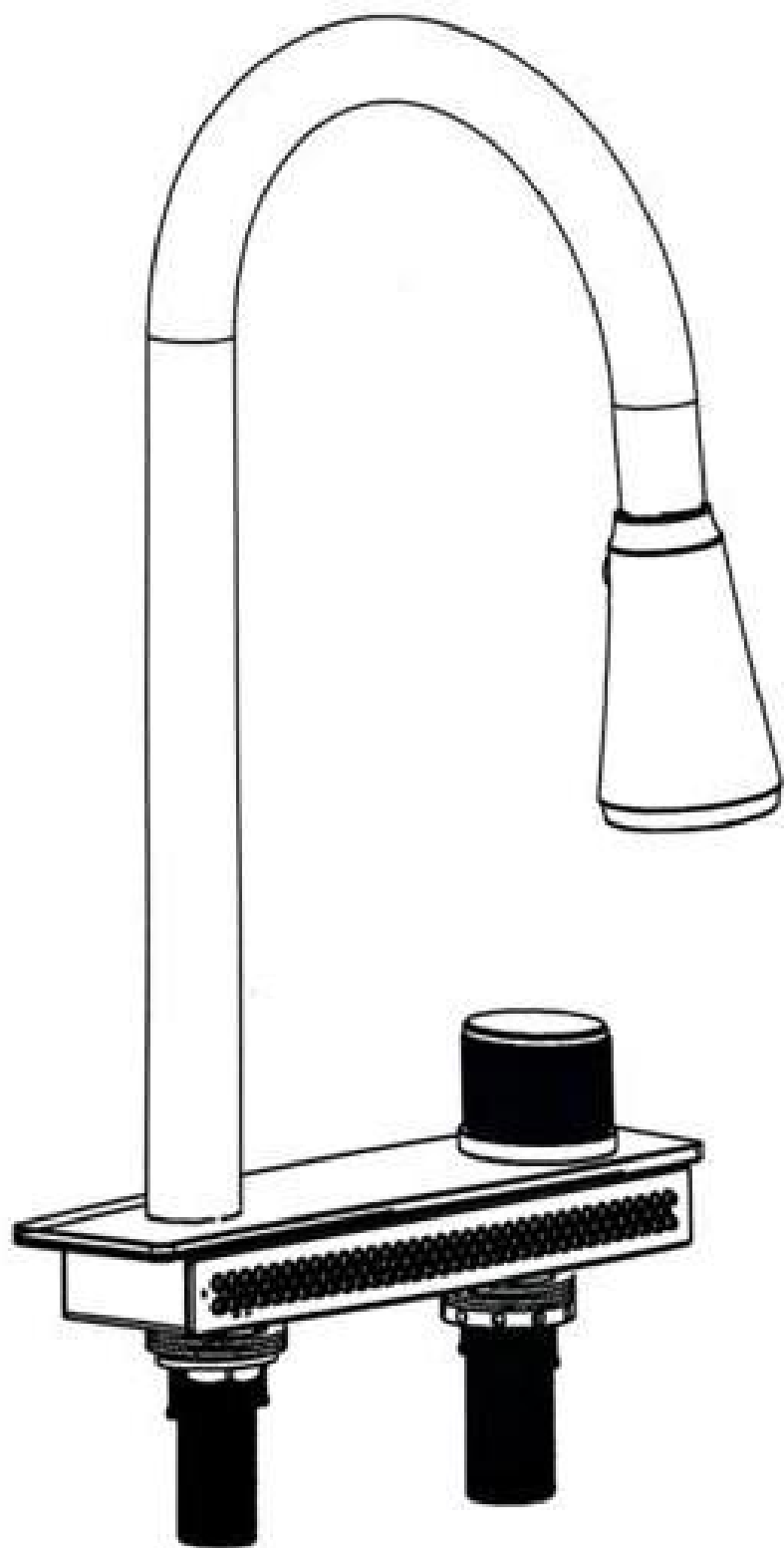
12: Put the silicone sealing ring on the connection with our sewage pipe, and tighten the hose main pipe



13: Cover the drain pipe in the sewage pipe, tighten and adjust

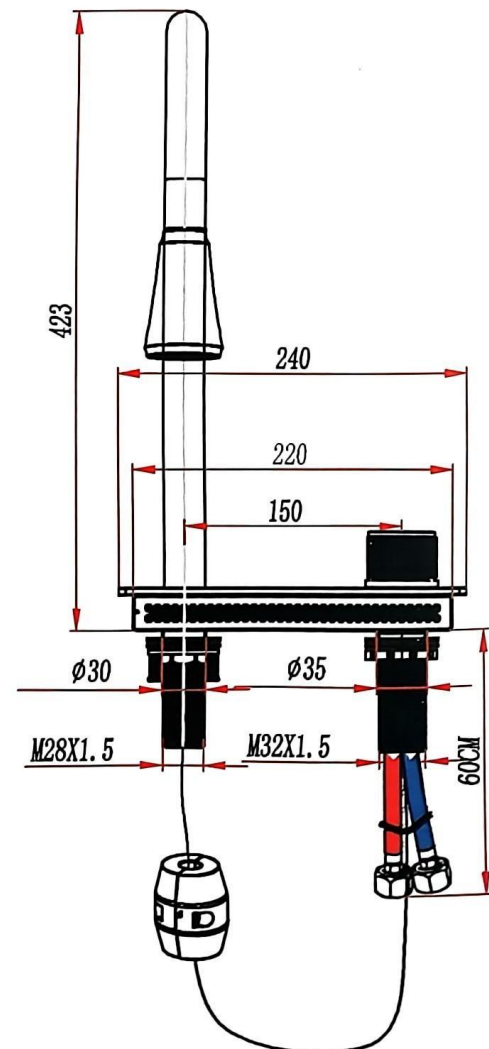
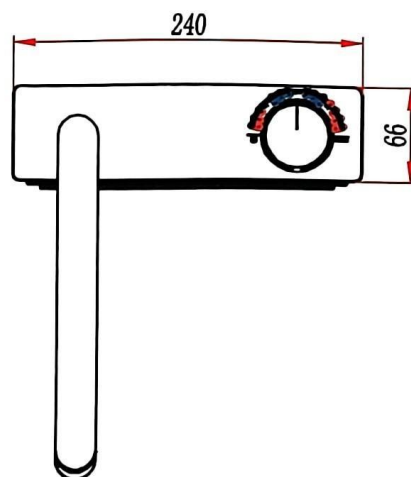
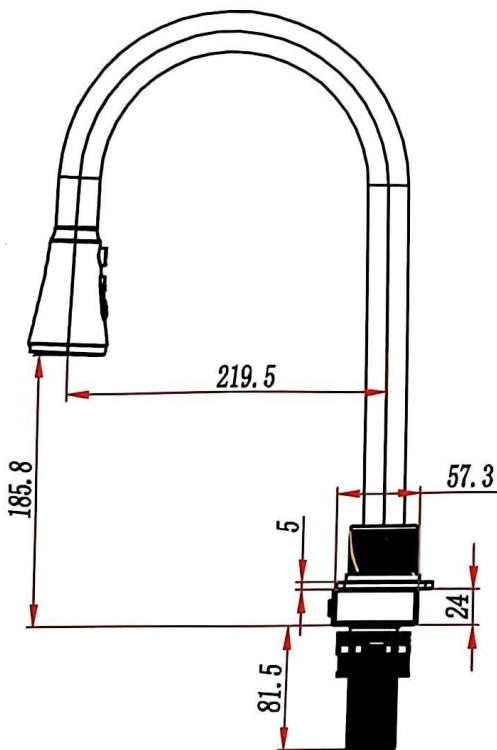


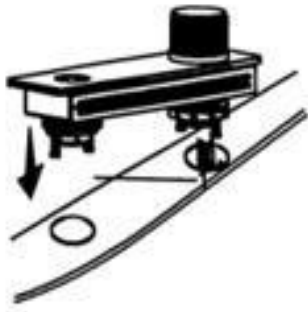
14: Connect the drain hose to the drain port



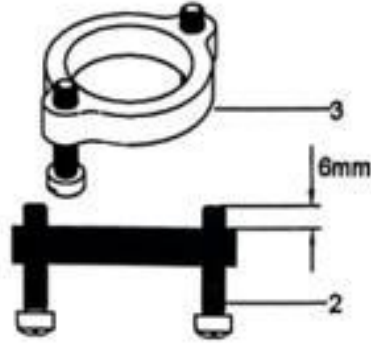
PRIOR TO INSTALLATION:

1. Inspect product to ensure no damages have occurred while in shipping.
2. Observe all plumbing and building codes in accordance with your state and local requirements, and the cold and hot water sources should be turned off before installation.
3. The length and width of the sink are reduced by 3-4 cm respectively, it is recommended to open holes according to the installation method of the product to prevent moisture gaps, which will cause mold and cockroaches
4. Make sure to purchase the correct cabinet for your sink.
5. All dimensions are nominal! Be sure to measure your sink prior to installation.
6. The step-by-step guidelines in the installation instructions are a general reference.





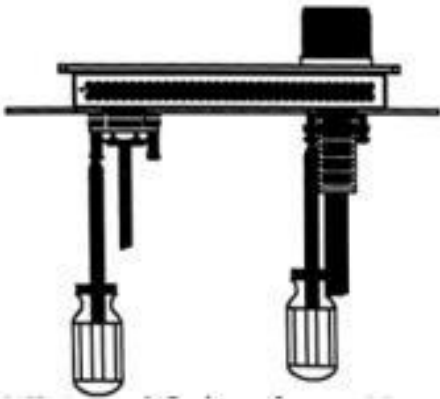
1 - Install the sink with the rubber ring facing down, then install the faucet with the valve on the right side:



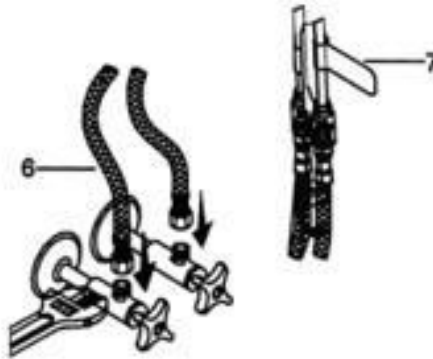
2 - Screw the screw 2 into the mounting ring 3 until about 6mm of the screw is exposed



3 - Fit this fitting 4) onto the pipe 5 and screw the mounting ring onto the pipe



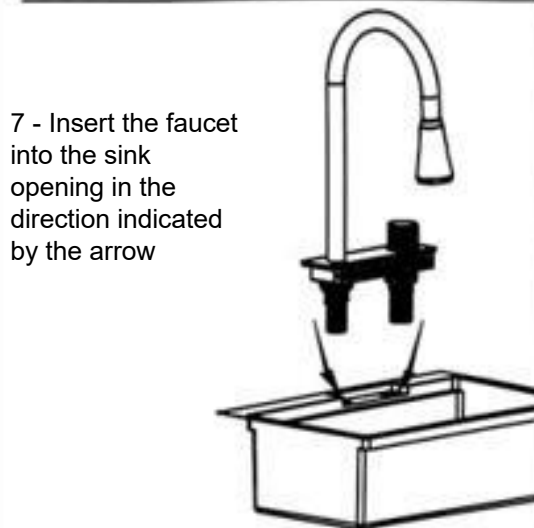
4 - Adjust the position of the screw and tighten it



5 - Connect and secure the hose 6 to the water outlet and connect the hose with the blue cold water marker 7

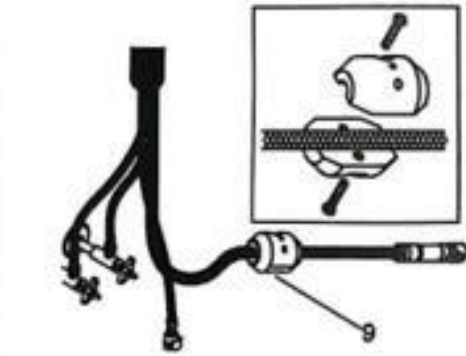


6 - Turn on the hot and cold water taps and let the water run for about 1 minute

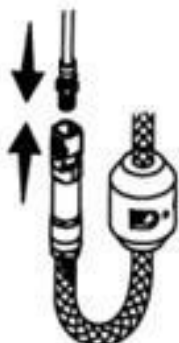


7 - Insert the faucet into the sink opening in the direction indicated by the arrow

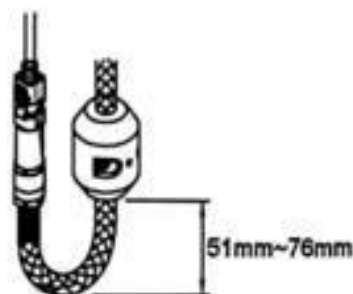
8 - Connect the hose to the faucet and insert it through the faucet, check that the plumbing is working



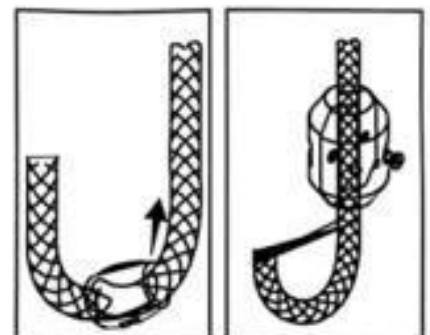
9 - Gently install the counterweight 9 onto the shower hose 6



10 - Connect the faucet hose to the faucet connection



11- Adjust the weights to the proper position as shown in the picture and close



12 - If necessary, adjust the weight to a suitable position.